

Armada E500

Model	SKU/BTO	Config Codes
AE5 P3 450 T4X 12 D 64 58	127669-xx1	CZQ1
AE5 P3 450 T4X 12 D 64 98	127669-xx4	CZQ2
AE5 P3 450 T4X 12 D 64 N4	127669-xx6	CZQ3
AE5 P3 450 T4X 12 D M 64 58	127670-xx1	CZQ4
AE5 P3 450 T4X 12 D M 64 58 N	127670-xx3	CZQ5
AE5 P3 450 T4X 12 D M 64 N4	127670-xx6	CZQ6
AE5 P3 450 T4X 12 D M 64 N4 N	127670-xx7	CZQ7
AE5 P2 400 T4X 6 D 64 58	152675-xx1	DC41
AE5 P2 400 T4X 6 D 64 98	152675-xx4	DC42
AE5 P2 400 T4X 6 D 64 N4	152675-xx6	DC43
AE5 P2 400 T4X 6 D M 64 58	152676-xx1	DC44
AE5 P2 400 T4X 6 D M 64 58 N	152676-xx3	DC45
AE5 P2 400 T4X 6 D M 64 N4	152676-xx6	DC46
AE5 P2 400 T4X 6 D M 64 N4 N	152676-xx7	DC47
AE5 P2 366 T2S 4 D 64 58	155058-xx1	DJC1
AE5 P2 366 T2S 4 D 64 98	155058-xx4	DJC2
AE5 P2 366 T2S 4 D 64 N4	155058-xx6	DJC3
AE5 P2 366 T2S 4 D M 64 58	155059-xx1	DJC4
AE5 P2 366 T2S 4 D M 64 58 N	155059-xx3	DJC5
AE5 P2 366 T2S 4 D M 64 N4	155059-xx6	DJC6
AE5 P2 366 T2S 4 D 64 N4 N	155059-xx7	DJC7
AE5 P2 400 T4X 6 D C 58	164748-xx1	DN81
AE5 P2 400 T4X 6 D C N4	164748-xx6	DN82
AE5 P3 500 T3X 6 D C 64 N4	164749-xx6	DN83
AE5 P3 450 T4X 12 D C 58	164751-xx1	DN84
AE5 P3 450 T4X 12 D C N4	164751-xx6	DN85
AE5 P3 600 T4X 12 D 64 58	161606-xx1	DN91
AE5 P3 600 T4X 12 D 64 N4	161606-xx6	DN93
AE5 P3 600 T4X 12 D M 64 58	161607-xx1	DN94
AE5 P3 600 T4X 12 D M 64 58 N	161607-xx3	DN95
AE5 P3 600 T4X 12 D M 64 N4	161607-xx6	DN96
AE5 P3 600 T4X 12 D M 64 N4 N	161607-xx7	DN97
AE5 P3 600 T4X 12 D C 64 58	164763-xx1	DN98
AE5 P3 600 T4X 12 D C 64 N4	164763-xx6	DN99
AE5 P3 500 T2X 6 D 64 58	161602-xx1	DNM1
AE5 P3 500 T2X 6 D 64 98	161602-xx4	DNM2
AE5 P3 500 T2X 6 D 64 N4	161602-xx6	DNM3
AE5 P3 500 T2X 6 D M 64 58	161603-xx1	DNM4
AE5 P3 500 T2X 6 D M 64 58 N	161603-xx3	DNM5
AE5 P3 500 T2X 6 D M 64 N4	161603-xx6	DNM6
AE5 P3 500 T2X 6 D M 64 N4 N	161603-xx7	DNM7
AE5 P3 500 T3X 6 D 64 58	161604-xx1	DNN1
AE5 P3 500 T3X 6 D 64 98	161604-xx4	DNN2
AE5 P3 500 T3X 6 D 64 N4	161604-xx6	DNN3
AE5 P3 500 T3X 6 D M 64 58	161605-xx1	DNN4
AE5 P3 500 T3X 6 D M 64 58 N	161605-xx3	DNN5
AE5 P3 500 T3X 6 D M 64 N4	161605-xx6	DNN6
AE5 P3 500 T3X 6 D M 64 N4 N	161605-xx7	DNN7
AE5 P3 500 T3X 6 D C 64 58	164749-xx1	DNN8
AE5 P3 650 T4X 12 V 64 58	161608-xx1	DPB1
AE5 P3 650 T4X 12 V 64 N4	161608-xx6	DPB3
AE5 P3 650 T4X 12 V M 64 58	161609-xx1	DPB4
AE5 P3 650 T4X 12 V M 64 58 N	161609-xx3	DPB5

Continued

Armada E500

Model	SKU/BTO	Config Codes
AE5 P3 650 T4X 12 V M 64 N4	161609-xx6	DPB6
AE5 P3 650 T4X 12 V M 64 N4 N	161609-xx7	DPB7
AE5 P3 650 T4X 12 V C 64 58	164764-xx1	DPB8
AE5 P3 650 T4X 12 V C 64 N4	164764-xx6	DPB9
AE5 P3 500 T2X 6 D C 64 58	166761-xx1	DVM1
AE5 P3 500 T2X 6 D C 64 N4	166761-xx6	DVM2
AE5 P3 700 T5X 12 V 64 58	174517-xx1 190804-001	DX41
AE5 P3 700 T5X 12 V 64 N4	174517-xx6 190804-001	DX43
AE5 P3 700 T5X 12 V M 64 58	174518-xx1	DX44
AE5 P3 700 T5X 12 V M 64 58 N	174518-xx3	DX45
AE5 P3 700 T5X 12 V M 64 N4	174518-xx6	DX46
AE5 P3 700 T5X 12 V M 64 N4 N	174518-xx7	DX47
AE5 P3 700 T5X 12 V C 64 58	174519-xx1 190804-001	DX48
AE5 P3 700 T5X 12 V C 64 N4	174519-xx6 190804-001	DX49
AE5 P3 600 T4X 12 D 64 N2	161606-xx8	FFD1
AE5 P3 600 T4X 12 D M 64 N2	161607-xx8	FFD2
AE5 P3 600 T4X 12 D M 64 N2 N	161607-xx9	FFD3
AE5 P3 600 T4X 12 D C 64 N2	164763-xx8	FFD4
AE5 P3 650 T4X 12 V 64 N2	161608-xx8	FFD5
AE5 P3 650 T4X 12 V M 64 N2	161609-xx8	FFD6
AE5 P3 650 T4X 12 V M 64 N2 N	161609-xx9	FFD7
AE5 P3 650 T4X 12 V C 64 N2	164764-xx8	FFD8
AE5 P3 700 T5X 12 V 64 N2	174517-xx8 190804-001	FFH1
AE5 P3 700 T5X 12 V M 64 N2	174518-xx8	FFH2
AE5 P3 700 T5X 12 V M 64 N2 N	174518-xx9	FFH3
AE5 P3 700 T5X 12 V C 64 N2	174519-xx8 190804-001	FFH4
AE5 P3 600 T3X 6 D 64 58	179844-xx1	FL51
AE5 P3 600 T3X 6 D 64 N2	179844-xx8	FL53
AE5 P3 600 T3X 6 D M 64 58	179845-xx1	FL54
AE5 P3 600 T3X 6 D M 64 58 N	179845-xx3	FL55
AE5 P3 600 T3X 6 D M 64 N2	179845-xx8	FL58
AE5 P3 600 T3X 6 D M 64 N 2N	179845-xx9	FL59
AE5 P3 600 T3X 6 D C 64 58	179846-xx1	FL61
AE5 P3 600 T3X 6 D C 64 N2	179846-xx8	FL63
AE5 P3 500 T4X 12 D 64 58	187427-xx1 165102-001	FLC1
AE5 P3 500 T4X 12 D 64 N4	187427-xx6 165102-001	FLC2
AE5 P3 500 T4X 12 D 64 N2	187427-xx8 165102-001	FLC3
AE5 P3 500 T4X 12 D M 64 58	187428-xx1 165102-001	FLC4
AE5 P3 500 T4X 12 D M 64 N4	187428-xx6 165102-001	FLC5
AE5 P3 500 T4X 12 D M 64 N2	187428-xx8 165102-001	FLC6
AE5 P3 500 T4X 12 D C 64 58	187429-xx1	FLC7
AE5 P3 500 T4X 12 D C 64 N4	187429-xx6	FLC8

Continued

Armada E500

Model	SKU/BTO	Config Codes
AE5 P3 500 T4X 12 D C 64 N2	187429-xx8	FLC9
AE5 P3 700 T8X 12 D 64 58	179847-xx1	FMX1
AE5 P3 700 T8X 12 D 64 N2	179847-xx8	FMX3
AE5 P3 700 T8X 12 D M 64 58	179848-xx1	FMX4
AE5 P3 700 T8X 12 D M 64 58 N	179848-xx3	FMX5
AE5 P3 700 T8X 12 D M 64 N2	179848-xx8	FMX8
AE5 P3 700 T8X 12 D M 64 N2 N	179848-xx9	FMX9
AE5 P3 700 T8X 12 D C 64 58	179849-xx1	FMZ1
AE5 P3 700 T8X 12 D C 64 N2	179849-xx8	FMZ3
AE5 C 1550 T4X 6 D C 64 58	207057-xx1	FVX1
AE5 C 1550 T4X 6 D C 64 N2	207057-xx8	FVX2
AE5 P3 600 T2S 5 D C 64 58	207063-xx1	FVY1
AE5 P3 600 T2S 5 D C 64 N2 N	207063-xx9	FVY2
AE5 P3 600 T2S 5 D C 64 58 N	207063-xx3	FVY3
AE5 P3 600 T2S 5 D C 64 N2	207063-xx8	FVY4
AE5 C 1550 T2S 5 D 64 58	196657-xx1	FVZ1
AE5 C 1550 T2S 5 D 64 N2	196657-xx8	FVZ2
AE5 C 1550 T2S 5 D M 64 58	196664-xx1	FVZ3
AE5 C 1550 T2S 5 D M 64 N2	196664-xx8	FVZ4
AE5 C 1550 T2S 5 D M 64 58 N	196664-xx3	FVZ5
AE5 C 1550 T2S 5 D M 64 N2 N	196664-XX9	FVZ6
AE5 C 1550 T2S 5 D C 64 58	196658-xx1	FVZ7
AE5 C 1550 T2S 5 D C 64 N2 N	196658-xx8	FVZ8
AE5 C 1550 T3X 5 D 64 58	196659-xx1	FWB1
AE5 C 1550 T3X 5 D 64 N2	196659-xx8	FWB2
AE5 C 1550 T3X 5 D M 64 58	196665-xx1	FWB3
AE5 C 1550 T3X 5 D M 64 N2	196665-xx8	FWB4
AE5 C 1550 T3X 5 D M 64 58 N	196665-xx3	FWB5
AE5 C 1550 T3X 5 D M 64 N2 N	196665-xx9	FWB6
AE5 C 1550 T3X 5 D C 64 58	196661-xx1	FWB7
AE5 C 1550 T3X 5 D C 64 N2	196661-xx8	FWB8
AE5 P3 700 T8X 12 D C 64 58 N	179849-xx3	FWZ1
AE5 P3 700 T8X 12 D C 64 N2 N	179849-xx9	FWZ2

Armada	A	E	5	P2	366	T4X	4	D	M	64	58	N
Key	1	2	3	4,5	6-8	9-11	D	D	D	D	D	D

Key	Description	Options
1	Brand	A = Armada
2	Segment	E = Enterprise
3	Family/Series	5 = 500
4,5	Processor Type	P2 = Pentium II, P3 = Pentium III
6-8	Processor Speed	366 = 366 MHz 400 = 400 MHz 466 = 466 MHz
9	Panel Type	T = TFT, S = STN
10	Panel Size	1 = 11.8 in., 2 = 12.1 in., 3 = 13.3 in., 4 = 14.1 in., 5 = 15 in.

Armada E500

Key	Description	Options
11	Resolution	X = XGA, S = SVGA, G = SXGA
Dynamic	Hard Drive Size in GB	4 = 4.3 GB 10 = 10 GB
	Optical Drive	V = DVD, D = CD
	Modem	M = Modem, C = Modem/Network Interface Controller Combination
	Memory	64 = 64 MB
	Operating System	58 = Win 95 and Win 98, 98 = Win 98, N2 = NT/2K, N4 = Win NT 4.0
	NAFTA	N = NAFTA only

Processor/System Boards	Spare Part
Processor Board, Celeron, 700 MHz	230657-001
Processor Board, PIII, 900 MHz	230655-001
Processor Board, PIII, 1 GHz	230656-001
System Board w/ 366 MHz, Dixon (for 12.1" CTFT only)	159527-001
System Board w/ 400 MHz, Dixon (for 14.1" CTFT only)*	159528-001
System Board w/ 450 MHz, PIII Dixon (for 14.1" CTFT only)*	165101-001
System Board w/ 550 MHz, Celeron	200397-001
System Board w/ 600 MHz, Celeron	200398-001
System Board w/ 500 MHz, PIII*	165102-001
System Board w/ 600 MHz, PIII	177750-001
System Board w/ 650 MHz, PIII	177751-001
System Board w/ 700 MHz, PIII	190804-001
System Board w/ 750 MHz, PIII	190805-001
System Board w/ 800 MHz, PIII	217373-001
System Board w/ 850 MHz, PIII	217374-001

* Does not include memory. ASPs must remove the SDRAM module from the defective system board and install the module on the replacement system board.

Memory Boards/Modules	Assembly	Spare Part
32 MB SDRAM	388190-002	135242-001
64 MB SDRAM	388191-002	135243-001
128 MB SDRAM	388189-002	135244-001
256 MB SDRAM		167136-001

Controller Boards	Spare Part
NIC, MPCII Type II	153207-001

Hard Drives	Spare Part
4.3 GB, IDE, SMART II (EURPs 1)*	159525-001
4.8 GB, IDE	167134-001
5.0 GB, IDE	200396-001
6.0 GB, IDE, SMART II (EURPs 1)*	159526-001
10.0 GB	218370-001
12.0 GB, IDE, SMART II	167527-001
18.0 GB, IDE	167528-001
20.0 GB	218371-001
30.0 GB	230659-001

*See Appendix I for Legend.

Armada E500

Cables	Spare Part
Cable Modem (RJ11)	165224-001
Cable Modem (RJ45)	191230-001

Miscellaneous	Spare Part
2K Charger	153991-001
Auto Adapter	101899-001
Card Cage Support Kit	216180-001
Convenience Base EM, 3NIC	157936-001
Convenience Base EM, INIC	157935-001
Convenience Base EM, No NIC	157934-001
Cover Top w/o Touch Pad	159533-001
CPU Base Enclosure	159534-001
Docking Support Bumper Kit	216181-001
Fan	159535-001
Hard Drive Adapter	155352-001
LED Board	159539-001
LED Board w/ Internet Button Board	201058-001
Modem Board, Type II, V90 (EURPs 1)*	121895-001
Plastic Kit, Miscellaneous	159536-001
Power Board, DC-DC	152928-001
Port Replicator	157937-001
Screw Kit, Misc.	159537-001
Touch 3 Button w/ Touch Pad	188645-001
Touch Button	159530-001
Touch Button w/ Touch Pad**	135227-001
Voltage Converter Board	152928-001

*See Appendix I For Legend.

** Only orderable via the Portables Custom Group as a CTO option.

Keyboards	Spare Part
Keyboard w/ Point Stick, BE	154876-181
Keyboard w/ Point Stick, BE	154876-181
Keyboard w/ Point Stick, BR	154876-201
Keyboard w/ Point Stick, DK	154876-081
Keyboard w/ Point Stick, FC	154876-121
Keyboard w/ Point Stick, FR	154876-051
Keyboard w/ Point Stick, GE	154876-041
Keyboard w/ Point Stick, INT'L	154876-002
Keyboard w/ Point Stick, IT	154876-061
Keyboard w/ Point Stick, JP	154876-291
Keyboard w/ Point Stick, KO	154876-AD1
Keyboard w/ Point Stick, LA	154876-161
Keyboard w/ Point Stick, NO	154876-091
Keyboard w/ Point Stick, PT	154876-131
Keyboard w/ Point Stick, SE	154876-101
Keyboard w/ Point Stick, SP	154876-071
Keyboard w/ Point Stick, SW	154876-111
Keyboard w/ Point Stick, TW	154876-AB1
Keyboard w/ Point Stick, UK	154876-031
Keyboard w/ Point Stick, US	154876-001
Keyboard w/o Point Stick, AR	154877-171
Keyboard w/o Point Stick, BE	154877-181
Keyboard w/o Point Stick, BR	154877-201
Keyboard w/o Point Stick, DK	154877-081
Keyboard w/o Point Stick, English, INT'L	154877-002

Continued

Armada E500

Keyboards	Spare Part
Keyboard w/o Point Stick, FC	154877-121
Keyboard w/o Point Stick, FR	154877-051
Keyboard w/o Point Stick, GE	154877-041
Keyboard w/o Point Stick, IT	154877-061
Keyboard w/o Point Stick, JP	154877-291
Keyboard w/o Point Stick, KO	154877-AD1
Keyboard w/o Point Stick, LA	154877-161
Keyboard w/o Point Stick, NO	154877-091
Keyboard w/o Point Stick, PT	154877-131
Keyboard w/o Point Stick, SE	154877-101
Keyboard w/o Point Stick, SP	154877-071
Keyboard w/o Point Stick, SW	154877-111
Keyboard w/o Point Stick, TAI	154877-AB1
Keyboard w/o Point Stick, TR	154877-141
Keyboard w/o Point Stick, UK	154877-031
Keyboard w/o Point Stick, US	154877-001

Removable Storage	Assembly	Spare Part
1.44 MB		159538-001
LS-120	305824-302	327456-003
24X, CD-ROM (EURPs)*		315082-002
DVD 4X	388836-310	102266-001
		Replaced w/ 173949-001
DVD 8X		173949-001

*See Appendix I for Legend.

Video	Spare Part
Display Panel, 12.1" CTFT SVGA	159531-001
Display Panel, 13.3" CTFT SVGA	167133-001
Display Panel, 14.1" CTFT XGA	159532-001
Display Panel, 15" TFT SVGA	201059-001
Display Panel, 15" TFT XGA	190806-001

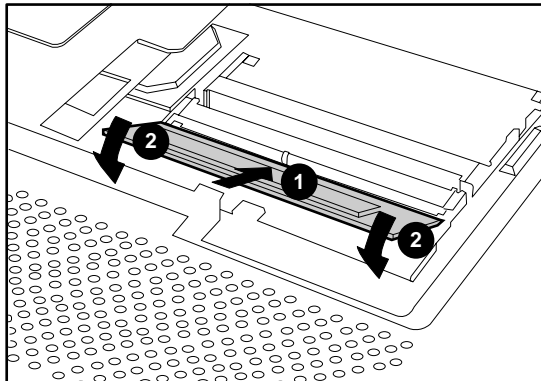
Batteries/Power Supplies	Assembly	Spare Part
AC Adapter, 50W, External (EURPs 1)*	387661-001	163444-001, 101898-001 Both Replaced w/ 239704-001
Battery Pack		100680-001
Battery Pack, Li-Ion, 6 Cell		159529-001
Battery Pack, Li-Ion, 6 Cell		230660-001
Battery Pack, Li-Ion, 9 Cell		159524-001
Battery Pack, Li-Ion, 9 Cell (EURPs 1)*		230667-001
Battery Pack, Li-Ion, 9 Cell (1960mAHRS)		230607-001

*See Appendix I for Legend.

Armada E500

Memory Upgrade Chart

Standard Memory
Armada V300 (32-MB 100Mhz SDRAM)
Armada E500 (64-MB 100Mhz SDRAM)



MAXIMUM MEMORY 512-MB

32-MB 100 Mhz SDRAM, OPTION PN 400311-B21

64-MB 100 Mhz SDRAM, OPTION PN 400312-B21

128-MB 100 Mhz SDRAM, OPTION PN 400313-B21

256-MB 100 Mhz SDRAM, OPTION PN 161554-B21